

# TRAINING & WELLNESS

## Treadmill Pro



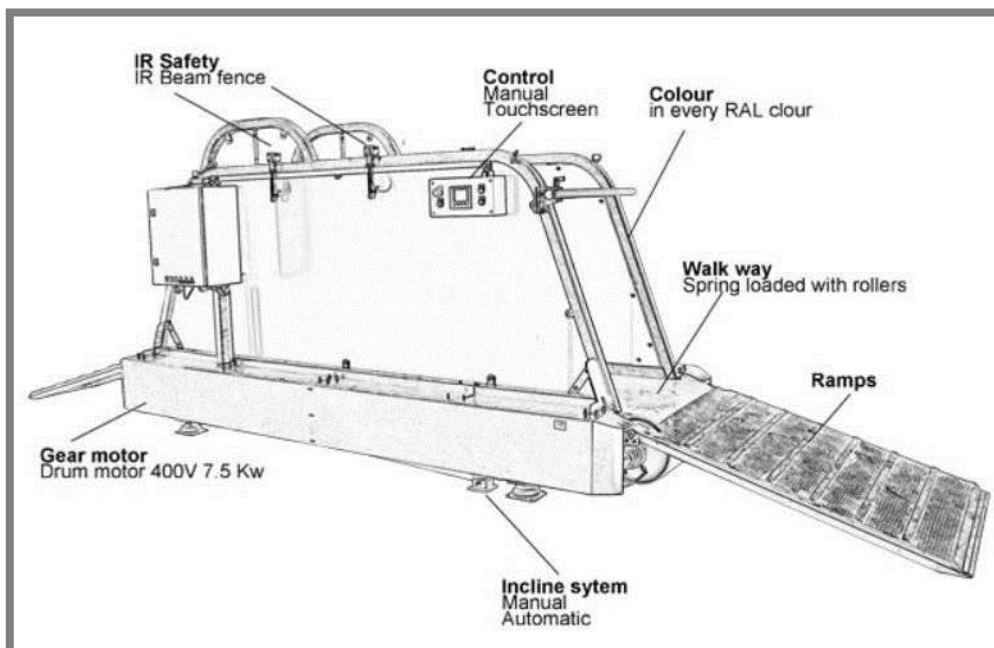
### Training for horses - easy and with minimum space requirements

The COLUMBUS horse treadmill was designed to train your horses safely and effectively with minimum space requirements. It is ideal for horse owners who want to add to the daily training of their horses.

Our treadmills support you with the conditioning of your horse. The training on a treadmill increases the cardiac function of your horse up to 50% without adverse cardiac enlargement. The oxygen transport through the bloodstream increases thus decreasing the lactate levels in the muscles. Training your horse on a COLUMBUS treadmill can be compared with a good hack ride only that you train your horse on only 3 square meters being able to control progress and performance better. With the programmable training computer you can train your horse purposefully.



The positive effects on the stamina of a horse due to the training on a treadmill have been recognized in all equestrian disciplines for years. The fore and hind muscles are maintained as well as promoted. Treadmills support controlled training and are an ideal tool for rehabilitation, stamina and muscle training. The COLUMBUS treadmills have been designed to even meet the highest requirements and are also focused on the safety of your horse.



# TRAINING & WELLNESS

## Treadmill Pro



The COLUMBUS treadmills are equipped with all safety measures so that you can train your horse ideally and effectively. The roller treadmill is equipped with a roller bottom that has an extra massage effect. The micro rolls have a positive effect on the blood flow in the horse's hoofs.

The roller treadmill comes with two anti-slip ramps and a drive with brake electronics, two infrared light barriers, two closing rods and two high stable side walls. The bottom two side walls are fit with an extra protective plate. All steel parts are galvanized and powder coated.



## Product Details Treadmill Pro

### Treadmill Pro – Trot

#### Dimensions

Weight ca.	1800kg
Length without ramp	4160mm
Length with 2 ramps	6640mm
Walk way length	3650mm
Walk way width	870mm
Ramp width	1300mm
Total width	1600mm
Walk in height	430mm
Side wall height	1620mm
Total height	2080mm

#### Technical data

Capacity	7,5kW
Connection voltage	3PH + N + PE 400 V 50Hz
Maximum speed	ca. 25km/h
Walk/Trot control	inclusive
Emergency stop	inclusive

### Treadmill Pro – Trot

#### Materials

Side cover	Meranti multiplex with epoxy top layer
Number of ramps	2 pcs
Safety bars	2 pcs
Steel frame	hot-dip galvanized and powder coated RAL 6009
Infrared sensor for light barrier	2 pcs
Damping	0-6mm
Belt sliding area	Micro rollers
Quality seal	CE

#### Extras (optional):

Electro hydraulic height adjustment	0-6%
Manual height adjustment	0-6%
Extra ramp	1400mm
Transparent side walls	Polycarbonat