

INDOOR ARENA IRRIGATION

Mobile System



The mobile irrigation system – ideal irrigation even if arena footing dries irregularly



Our mobile irrigation system has been developed specifically for indoor arenas. The irrigation takes place through a six-way sprinkler which is fixed to an electronic trolley which moves on a rail system under the ceiling. Every nozzle can be controlled separately which enables the irrigation to focus independently on different areas. This feature is especially helpful in arenas where the footing dries irregularly. We use high-quality materials as well as robust, modern and electronic control systems for all our irrigation systems.

In warm weather periods this system also offers a pleasant and refreshing chill. Since there is no or hardly any dripping you are able to use the arena immediately after the irrigation. The fully automatic control is easy to program and is provided with a timer.

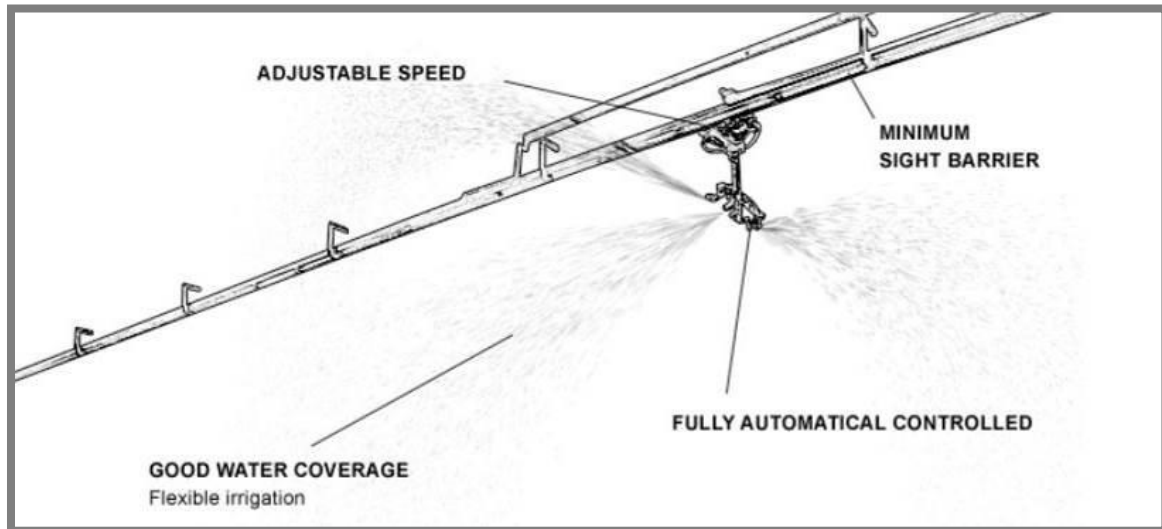
The irrigation takes practically place without you!



Our programmable control system (SPS) is able to store your set up for irrigation and distinguishes through the easy handling as well as the waterproof casing in which it is integrated. You can choose whether the energy supply proceeds through a hose paket or through an energy chain conveyor. The possibilities are various so that we can always offer you the perfect solution for your irrigation.

INDOOR ARENA IRRIGATION

Mobile System



Performance characteristics of the Mobile System:

- irrigation of the entire arena footing (40mb) in just 10 minutes
 - high-performance SPS control by Siemens
 - adjustable speed and water amount
- control of magnet valves for irrigation of individual areas
 - water supply stops automatically if trolley ins blocking
 - irrigation time can be set by an integrated timer

Product Details Mobile System

Mobile System 20-30x40m

Technical Data

Amount of nozzles:	6 pcs
Control:	automatic
Connection voltage:	230 V 50 Hz
Electronic valves:	6 pcs
Connection voltage:	24 V AC

Water values

Precipitation 2mm:	2400 l in 15min
Water consumption:	9,6 m ³ /h
Working pressure:	3,5-4 bar
Necessary pump:	6000 l/h

Mobile System 20-30x60m

Technical Data

Amount of nozzles:	6 pcs
Control:	automatic
Connection voltage:	230 V 50 Hz
Electronic valves:	6 pcs
Connection voltage:	24 V AC

Water values

Precipitation 2mm:	3600 l in 23min
Water consumption:	9,6 m ³ /h
Working pressure:	3,5-4 bar
Necessary pump:	6000 l/h